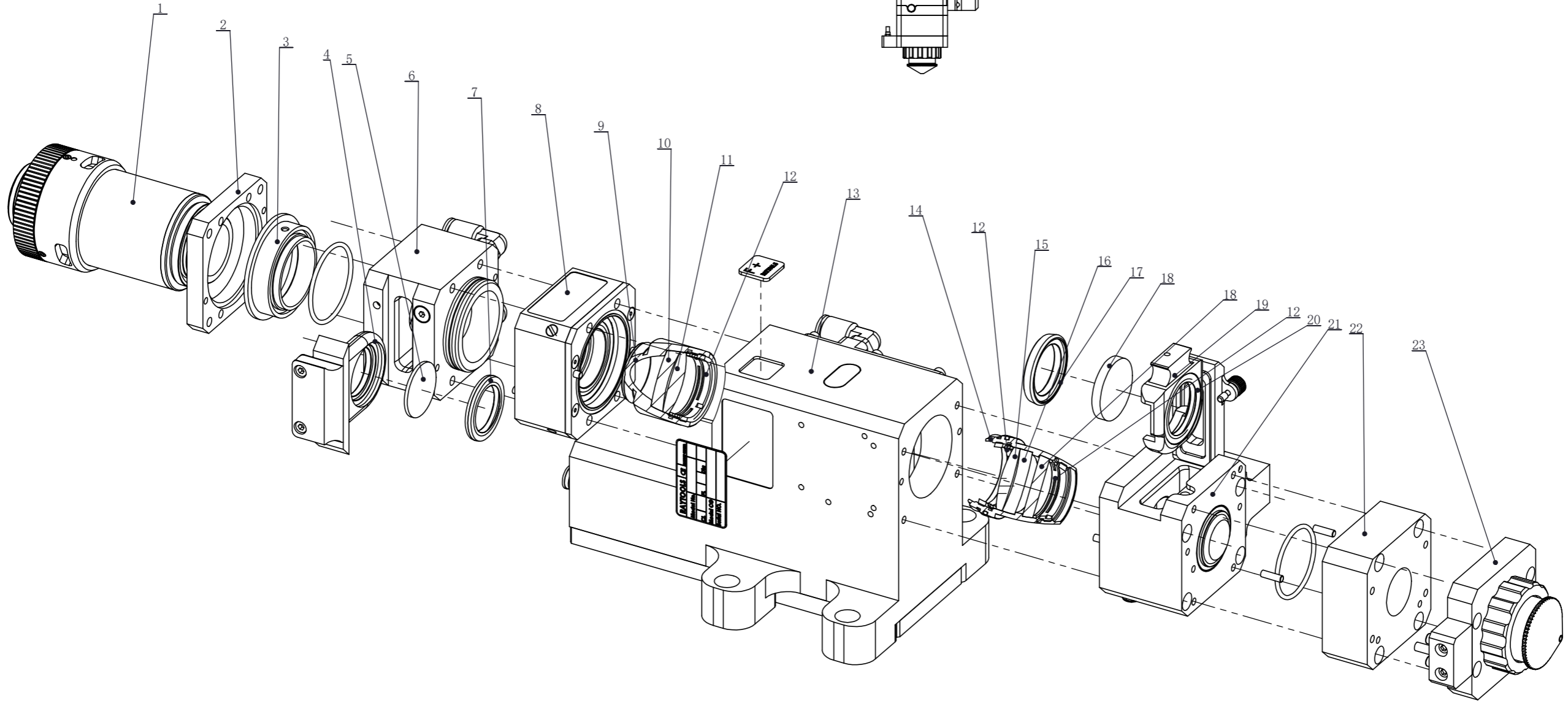
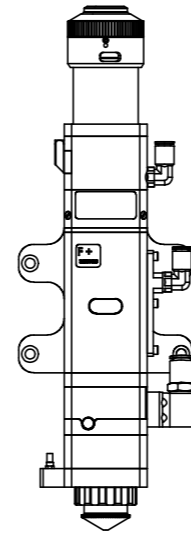


| 序号 | 图号 | 名称 |
|----|------------------|---|
| 1 | 211FIA1001 | 光纤接口-FIBER INTERFACE ASSEMBLY QBH |
| 2 | 120404021B | 调节压板-BT240、230、220XYA组件 |
| 3 | 120300060B | 100MM准直水冷基板连接块- |
| 4 | 120AG0107C | BM111-准直保护镜座 |
| 5 | 1102551G0005 | 保护镜片-D24.9*1.5 QBH |
| 6 | 120AH0100A | BM109-100准直水冷组件 |
| 7 | 11021M2110051 | 泛塞封(端面压用)-(29.2*21*3.55) mini准直保护镜用 |
| 8 | 120AH0400A | BM109-100准直调中组件 |
| 9 | 120AH0104A | BM109-准直镜座 |
| 10 | 110255AACBHD0019 | D28-BFL100mmFused Silica弯月镜 1064 |
| 11 | 110255AAFBD0020 | D28-BFL100mmFused Silica双凸镜 1064 |
| 12 | 120303113A | D28弹性压圈-1.1"、D28镜片用弹性压圈 完整螺纹 |
| 13 | 120AH0500A | BM109-身体组件 |
| 14 | 120AH0210B | BM109-聚焦镜座 |
| 15 | 110255AAFBD0022 | D28-BFL125mmFused Silica双凸镜 1064 |
| 16 | 110255AACBHD0021 | D28-BFL125mmFused Silica弯月镜 1064 |
| 17 | 120AG0306B | BM111-下保护镜压圈 |
| 18 | 2111LCG0035 | 保护镜片-CG 27.9mm DIA x 4.1mm 1064nm |
| 19 | 120AH0302B | BM109-保护镜座 |
| 20 | 11021M2110007 | 泛塞封(端面压用)-03.A022.00031-(32.2(-0.05/0)*24*3.55) |
| 21 | 120AH0300A | BM109-保护镜组件 |
| 22 | 120AH0306B | BM109-喷嘴连接座 |
| 23 | 120301000A | 短头喷嘴组件-BT230 短头喷嘴组件 |



| Loc | No | NOTE | DATE | REVISED |
|------------------------------|-----|------------|-----------------|-----------|
| REVISION | | | | |
| DRAWN | 袁家鑫 | 2018/3/21 | RAYTOOLS | |
| CHECKED | | | | |
| REVIEWED | | | | |
| VIEW ORIENTATION | | | | |
| PART NAME | | DWG. NO. | WEIGHT (kg) | |
| BM109激光切割头-QBH-100-125-28YYL | | BMH109003A | 3.06 | |
| MATERIAL | 部件图 | SIZE | A3 | SCALE 1:2 |
| | | SHEET | 1/1 | |